

THE NAPA

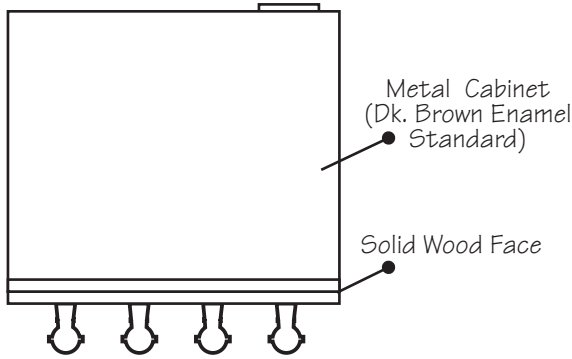
4, 6 & 8 Bottle Cabinets
Metal Sides with Various Hardwood Fronts



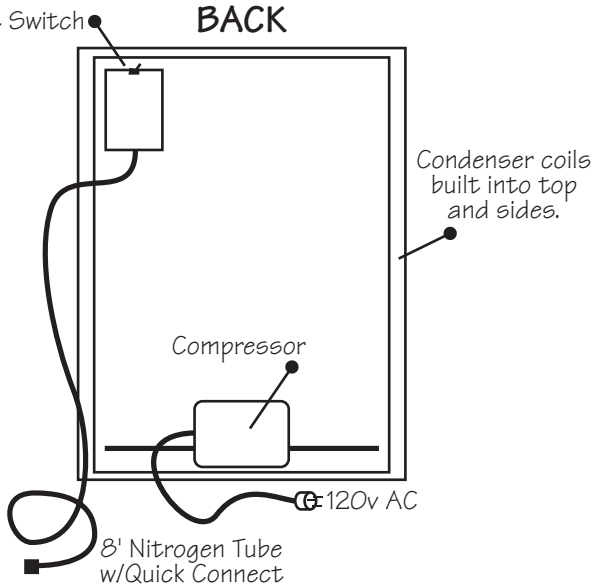
2x2-MRN
Mahogany Shown

The NAPA includes: Two-Stage Regulator, Lights & Thermometer, Thermal-Pane glass door and 8' Remote Nitrogen Tubing with Quick-Connect. Refrigeration: Manual-Defrost, 120 volt, 60 HZ. Temperature range for white wine is 42 to 48 F, for red wine the range is 56 to 62 F. The required minimum vented air space is 3" behind and 12" above unit.

TOP



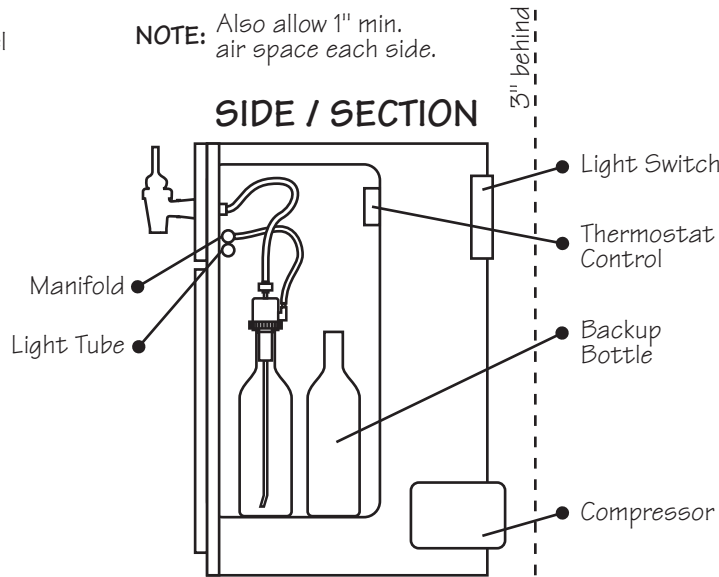
BACK



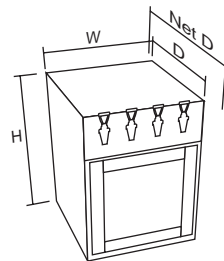
Vented Air Space 12" above

NOTE: Also allow 1" min. air space each side.

SIDE / SECTION



NAPA



Model	Faucets White/Red	Description	Amps	W	H	D	Net D	Weight Lbs.
4-	4/0 or 0/4	4 Bottle	1	18.62"	24.75"	19"	22"	56
2x2-	2/2	4 Bottle	1	18.62"	24.75"	19"	22"	56
3x3-	*	6 Bottle	2	37.25"	24.75"	19"	22"	112
4x4-	*	8 Bottle	2	37.25"	24.75"	19"	22"	112

*Call for details