

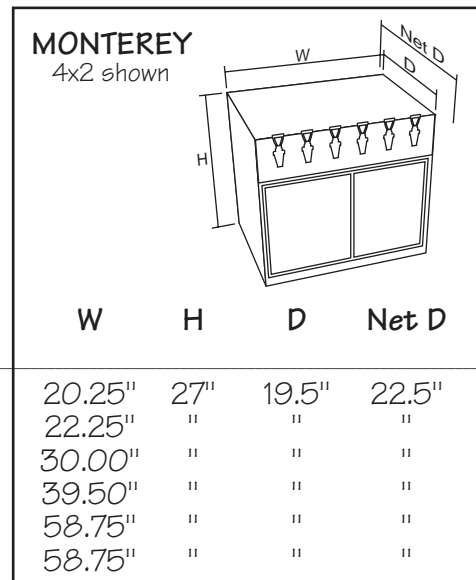
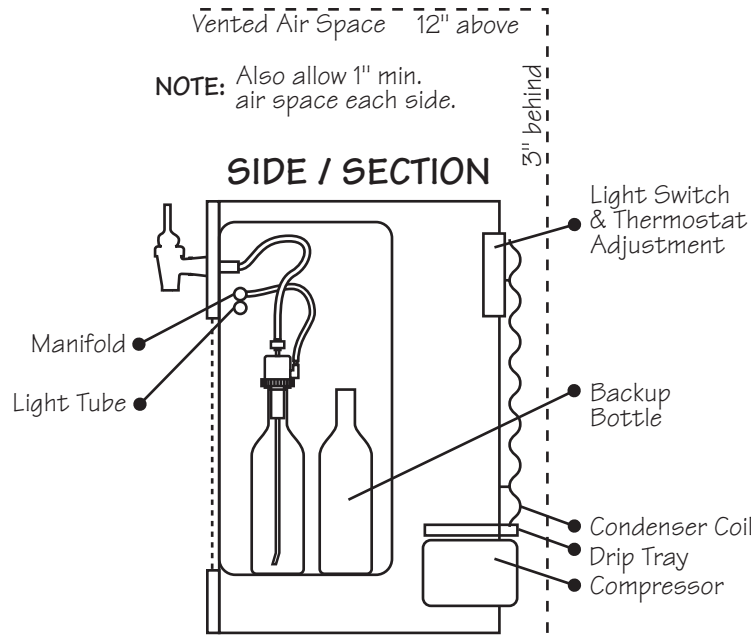
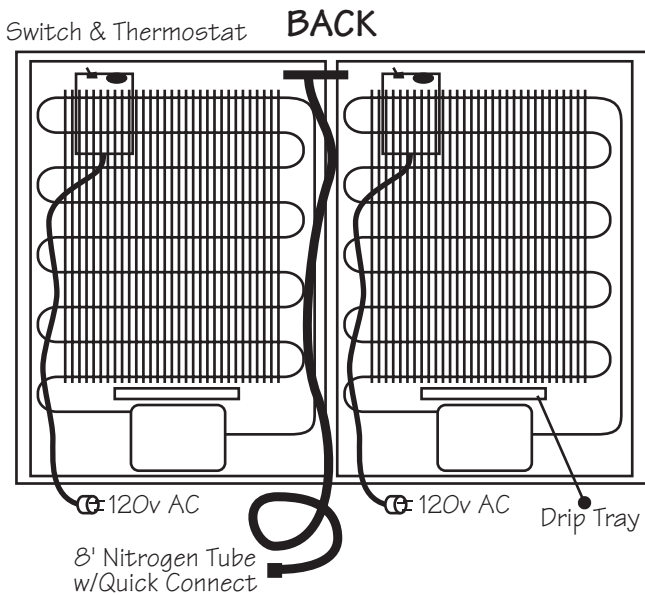
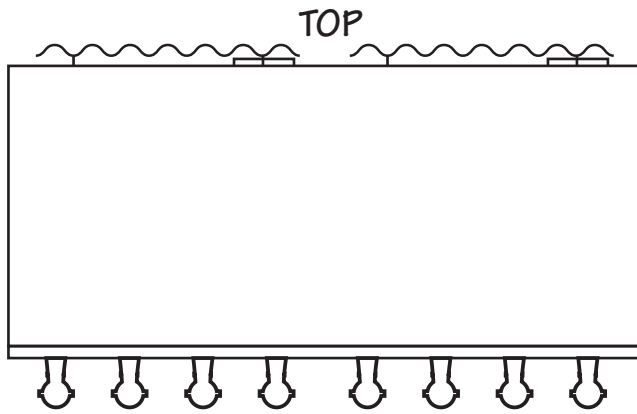
# THE MONTEREY

## 4, 6, 8 & 12 Bottle Cabinets

The MONTEREY includes: Two-Stage Regulator, Lights & Thermometer, Thermal-Pane glass doors and 8' Remote Nitrogen Tubing with Quick-Connect. Refrigeration: Auto-Defrost, 120 volt, 60 HZ. Temperature range for white wine is 42 to 48 F, for red wine the range is 46 to 70 F. The required minimum vented air space is 3" behind and 12" above unit. The MONTEREY is specially designed to be clad in a variety of plastic laminates, anodized aluminum, stainless steel and brass. Wood models are available and come with a black laminate top.



**4x4-L2RM**  
Matte Black Laminate Shown



| Model  | Faucets<br>White/Red | Description | Amps | W      | H   | D     | Net D | Weight<br>Lbs. |
|--------|----------------------|-------------|------|--------|-----|-------|-------|----------------|
| 4-     | 4/0                  | 4 Bottle    | 1    | 20.25" | 27" | 19.5" | 22.5" | 85             |
| 2x2-   | 2/2                  | 4 Bottle    | 1    | 22.25" | "   | "     | "     | 85             |
| 4x2-   | 4/2                  | 6 Bottle    | 1    | 30.00" | "   | "     | "     | 120            |
| 4x4-   | *                    | 8 Bottle    | 2    | 39.50" | "   | "     | "     | 155            |
| 4x4x4- | *                    | 12 Bottle   | 2-3  | 58.75" | "   | "     | "     | 190            |
| 4x4x4- | *                    | 12 Bottle   | 2-3  | 58.75" | "   | "     | "     | 190            |

\*Call for details